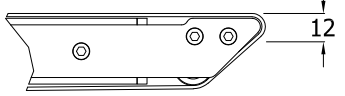
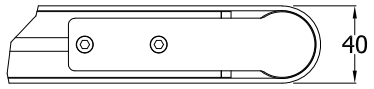


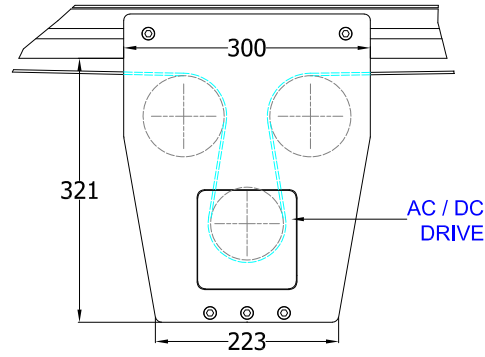
Ø12MM KNIFE EDGE TERMINAL END



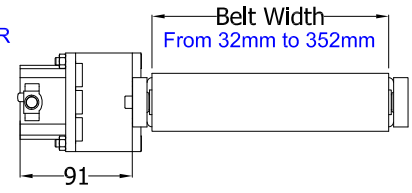
Ø40MM STANDARD TERMINAL END



COB-040 CENTER DRIVE



24V DC MOTOR



230V AC MOTOR

